

Standard booth (6 sqm)



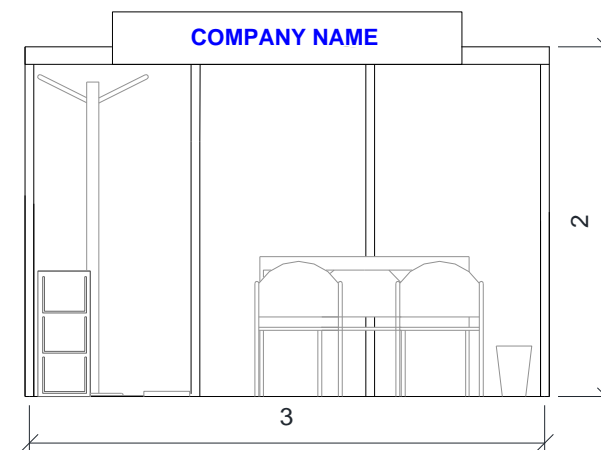
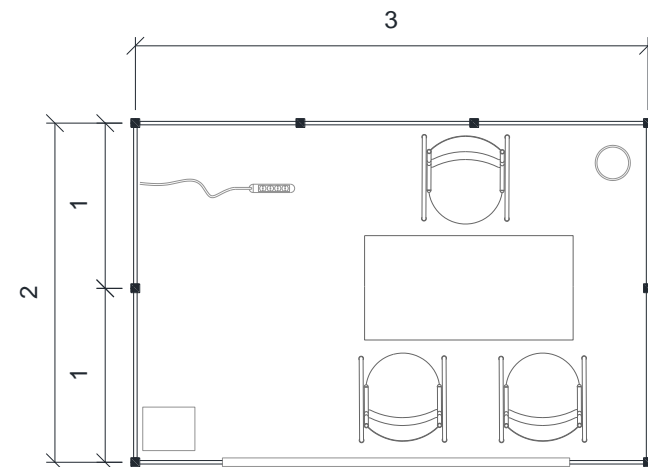
STANDARD BOOTH DIM. 3 X 2 MT

THE EXHIBITION BOOTH BASIC FITTINGS INCLUDE:

- _ ALUMINIUM WALLS 200 CM HIGH
- _ N° 1 TABLE
- _ N° 3 CHAIRS
- _ N° 1 LOCKER
- _ N° 1 WASTE BIN
- _ N° 1 ELECTRICAL MULTIPLE SOCKET (2,5 KW)
- _ GRAPHIC DESIGN WITH CUSTOMIZABLE B&W OVERHEAD PVC BOARD

EXTRA FITTINGS:

- _ STANDARD BOOTHS ARE 3X2 MT. DOUBLE BOOTHS 6X2 MT CAN ALSO BE ARRANGED UPON REQUEST
- _ THE BOOTH CAN BE CUSTOMIZED CHOOSING AMONG OF A WIDE RANGE OF ACCESSORIES INCLUDED COLOURED GRAPHIC DESIGN
- _ A FULL ONLINE CATALOGUE WILL BE MADE AVAILABLE TO ALL REGULARLY REGISTERED EXHIBITORS.





PLUS BOOTH DIM. 4 X 2 MT

THE EXHIBITION BOOTH BASIC FITTINGS INCLUDE:

- _ ALUMINIUM WALLS 200 CM HIGH
- _ N° 1 TABLE
- _ N° 3 CHAIRS
- _ N° 1 LOCKER
- _ N° 1 WASTE BIN
- _ N° 1 ELECTRICAL MULTIPLE SOCKET (2,5 KW)
- _ GRAPHIC DESIGN WITH CUSTOMIZABLE B&W OVERHEAD PVC BOARD

EXTRA FITTINGS:

- _ PLUS BOOTHS ARE 4X2 MT. DOUBLE BOOTHS 8X2 MT
- CAN ALSO BE ARRANGED UPON REQUEST
- _ THE BOOTH CAN BE CUSTOMIZED CHOOSING AMONG OF
- A WIDE RANGE OF ACCESSORIES INCLUDED COLOURED
- GRAPHIC DESIGN
- _ A FULL ONLINE CATALOGUE WILL BE MADE AVAILABLE TO ALL
- REGULARLY REGISTERED EXHIBITORS.

